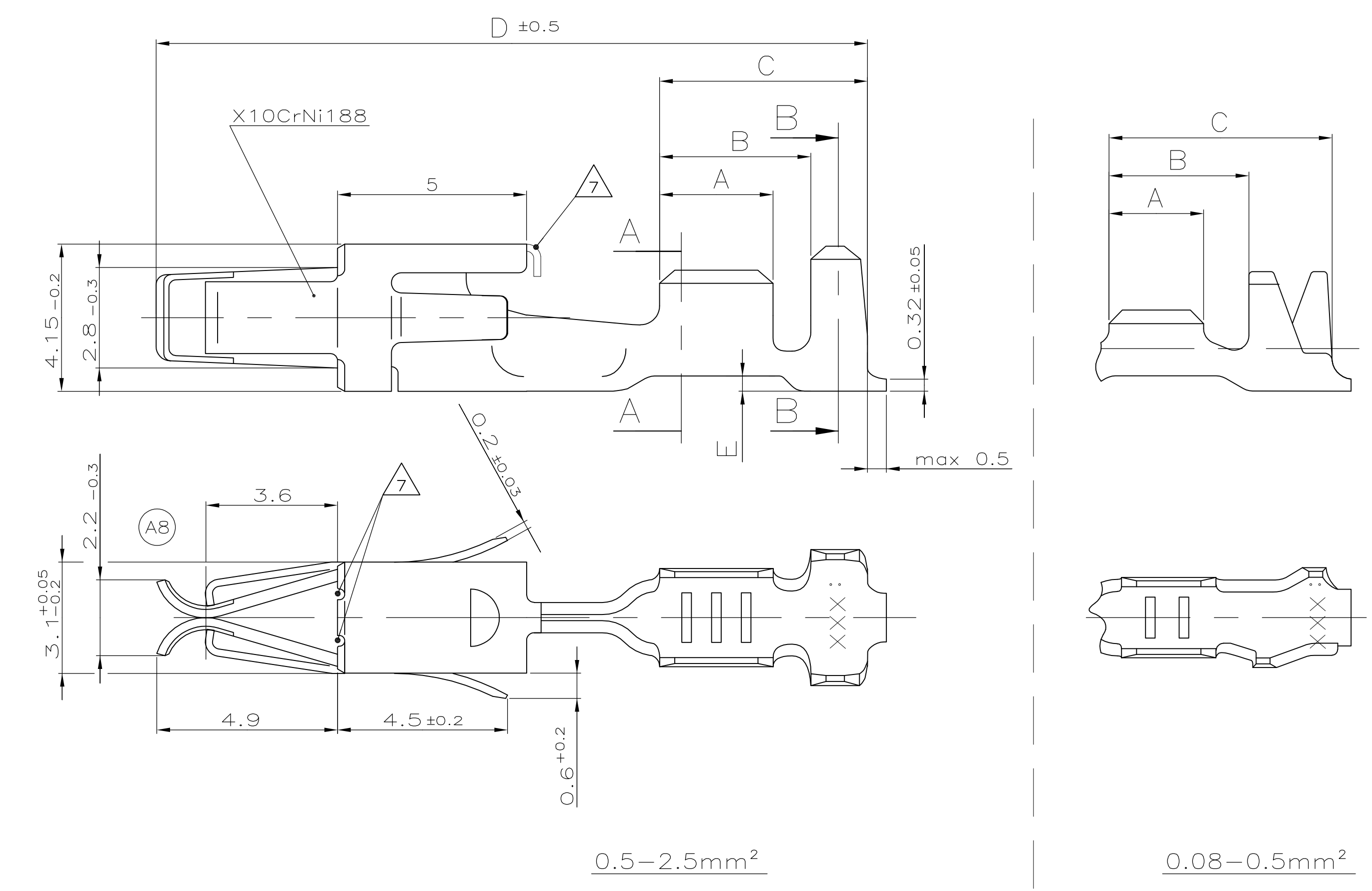
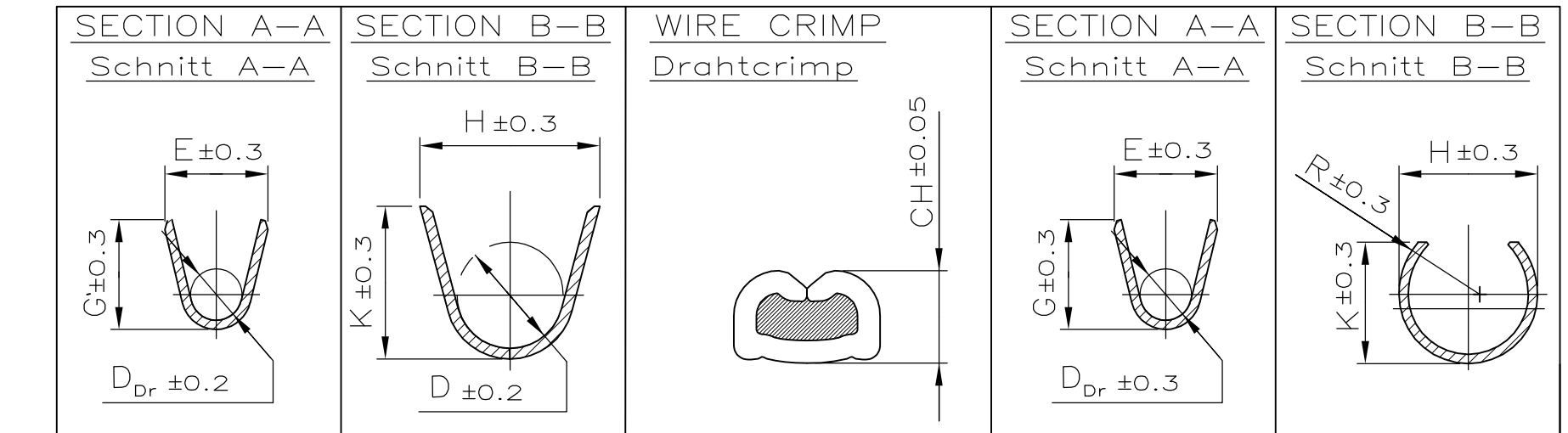
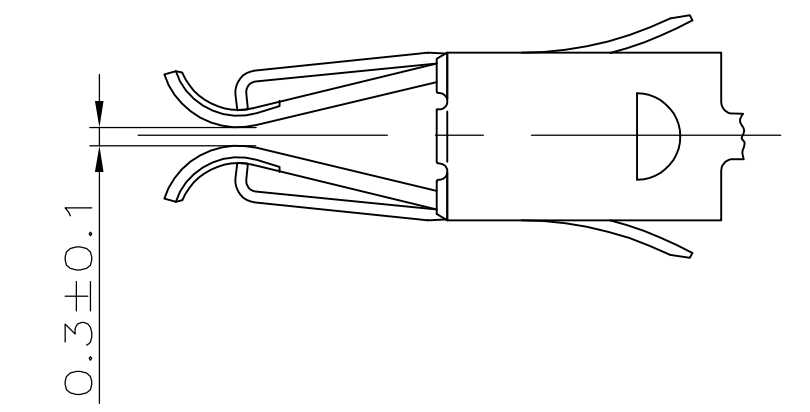


REMARKS
 Bemerkungen

- 1 CONTACT BODY PRE-SILVER PLATED MIN. 0.8µm CONTACT ZONE SELECTIVE PRE-SILVER PLATED MIN. 3µm
 Kontaktkoerper vorversilbert min. 0,8µm Kontaktzone selektiv vorversilbert min. 3µm
- 2 CONTACT ZONE GOLD PLATED MIN. 0.8µm OVER MIN. 1.3µm Ni-LAYER CRIMP AREA MIN. 1µm TIN PLATED OVER Ni-LAYER
 Kontaktzone vergoldet min. 0,8µm ueber min. 1,3µm Ni-Zwischenschicht Crimpbereich min. 1µm verzinkt ueber Ni-Zwischenschicht
- 3 CANTILEVER SPRING INSIDE AND OUTSIDE 0.4-1.2µm Au
 Ueberfeder innen und aussen 0,4-1,2µm Au
- 4 CONTACT BODY, CONTACT SPRING INSIDE AND CRIMP AREA MIN. 1µm TIN PLATED OVER Ni-LAYER, TOUCHING AREA TO CANTILEVER SPRING AND CONTACT SPRING OUTSIDE SELECTIVE 0.8µm Au OVER MIN. 1.3µm Ni-LAYER
 Kontaktkoerper, Kontaktfeder innen und Crimpbereich min. 1µm verzinkt ueber Ni-Zwischenschicht, Anlageflaeche zur Ueberfeder und Kontaktfeder aussen selektiv 0,8µm vergoldet ueber min. 1µm Ni-Zwischenschicht
- 5 CONTACT ZONE AND TOUCHING AREA TO CANTILEVER SPRING MIN. 0.8µm SELECTIVE Au PLATED OVER 1.3µm Ni PLATED, CRIMP AREA MIN. 1µm TIN PLATED OVER Ni-LAYER
 Kontaktzone und Anlageflaeche zur Ueberfeder min. 0,8µm vergoldet ueber min. 1,3µm Ni-Zwischenschicht Crimpbereich min. 1µm verzinkt ueber Ni-Zwischenschicht
- 6 CONTACT BODY AND CRIMP AREA MIN. 1µm TIN PLATED OVER Ni-LAYER, TOUCHING AREA TO CANTILEVER SPRING SELECTIVE 0.8µm Au OVER MIN. 1.3µm Ni-LAYER
 Kontaktkoerper und Crimpbereich min. 1µm verzinkt ueber Ni-Zwischenschicht Anlageflaeche zur Ueberfeder selektiv 0,8µm vergoldet ueber min. 1,3µm Ni-Zwischenschicht
- 7 CONTACT OFF OPTIONAL
 Abschnitt\Freischnitt optional
- 8 CONTACT RE-TREATED WITH LUBRICANT BARRIERTA DISPERSION
 Kontakt mit Gleitmittel Barrierta Dispersion behandelt
- 9 VARIANTS WITH GAP-SIZE 0.3±0.1mm
 Varianten mit Gap-Size 0.3±0.1mm



ORDER-No.	REV	ORDER-No.	MATERIAL	SURFACE	DGB	WIRE CRIMP	WIRE CRIMP HEIGHT	LOOSE PIECE	APPLICATION TOOL	HAND TOOL	A	B	C	D	E	REMARKS	
928810-6	A	-	CuSn4	1	0.5-1.0	E = 2.6 G = 2.8 D _{cr} = 1.1	H = 3.6 K = 3.9 D = 1.8	0.5mm² = 1.18 0.75mm² = 1.27 1.0mm² = 1.36	MQC-Applicator 878181-2	539635-1 mit Matrize: 539674-2	3.0	4.0	5.5	18.8	0.4	9	
928810-3	A	928810-4	CuSn4	vorverzinkt min 1µm	FLR												
928810-1	A	928810-2	CuSn4	vorverzinkt min 1µm	FLR												
963884-2	A	963885-2	CuSn4	vorverzinkt min 1µm	>1.0-2.5	E = 3.6 G = 3.8 D _{cr} = 1.8	H = 4.7 K = 4.9 D = 2.6	1.25mm² = 1.44 1.5mm² = 1.51 2.0mm² = 1.64 2.5mm² = 1.77	MQC-Applicator 878180-2	539635-1 mit Matrize: 539674-2	3.3	4.3	5.8	18.8	0.4	9	
963884-1	A	963885-1	CuSn4	vorverzinkt min 1µm	FLR												
2-927773-1	P	2-927781-1	CuSn4	2	>1.0-2.5	E = 3.6 G = 3.8 D _{cr} = 1.8	H = 5.5 K = 5.8 D = 3.6	1.25mm² = 1.44 1.5mm² = 1.51 2.0mm² = 1.64 2.5mm² = 1.77	MQC-Applicator 878190-2	539635-1 mit Matrize: 539674-2	3.3	4.3	5.8	18.8	0.4		
1-927773-1	P	1-927781-1	CuFe2	1													
927773-6	N	927781-6	CuSn4	1													
927773-3	N	927781-3	CuSn4	vorverzinkt min 1µm													
927773-1	N	927781-1	CuFe2														
2-927768-1	R	2-927777-1	CuSn4	2	>1.0-2.5	E = 3.6 G = 3.8 D _{cr} = 1.8	H = 4.7 K = 4.9 D = 2.6	1.25mm² = 1.44 1.5mm² = 1.51 2.0mm² = 1.64 2.5mm² = 1.77	MQC-Applicator 878180-2	539635-1 mit Matrize: 539674-2	3.3	4.3	5.8	18.8	0.4		
1-927768-1	R	1-927777-1	CuFe2	3, 4, 1													
927768-9	P	927777-9	CuSn4	3, 4, 1													
927768-6	P	927777-6	CuSn4	1													
927768-3	P	927777-3	CuSn4	vorverzinkt min 1µm													
927768-1	P	927777-1	CuFe2														
2-927771-2	N	2-927779-2	CuSn4	3, 6													
2-927771-1	N	2-927779-1	CuSn4	2													
1-927771-1	N	1-927779-1	CuFe2	2													
927771-9	M	927779-9	CuSn4	3, 4, 5, 1	0.5-1.0	E = 2.6 G = 2.8 D _{cr} = 1.1	H = 3.6 K = 3.9 D = 1.8	0.5mm² = 1.18 0.75mm² = 1.27 1.0mm² = 1.36	MQC-Applicator 878181-2	539635-1 mit Matrize: 539674-2	3	4	5.5	18.8	0.4		
927771-8	N	927779-8	CuSn4	3, 4, 5, 1													
927771-6	M	927779-6	CuSn4	1													
927771-3	M	927779-3	CuSn4	vorverzinkt min 1µm													
927771-1	M	927779-1	CuFe2														
2-927774-1	C	2-927776-1	CuSn4	2	0.2-0.5	E = 2.1 G = 2.1 D _{cr} = 0.8	H = 2.7 K = 2.8 D = 1.4	0.2mm² = 0.98 0.25mm² = 1.00 0.35mm² = 1.05 0.5mm² = 1.12	MQC-Applicator 878332-2	539635-1 mit Matrize: 539737-2	2.5	3.5	5.6	18.8	0.4		
1-927774-1	C	1-927776-1	CuFe2	3, 5, 1													
927774-8	C	927776-8	CuSn4	3, 5, 1													
927774-6	B	927776-6	CuSn4	1													
927774-3	B	927776-3	CuSn4	vorverzinkt min 1µm													
927774-1	B	927776-1	CuFe2														
2-963708-1	C	2-963777-1	CuSn4	2	0.08-0.2	E = 1.7 G = 1.7 D _{cr} = 0.6	H = 3.1 K = 3.2 D = 1.6	0.08mm² = 0.79 0.14mm² = 0.83 0.22mm² = 0.87	MQC-Applicator 878599-2	734414-1	2.5	3.7	5.9	18.8	0.4		
1-963708-1	C	1-963777-1	CuFe2	1													
963708-6	B	963777-6	CuSn4	1													
963708-3	B	963777-3	CuSn4	vorverzinkt min 1µm													
963708-1	B	963777-1	CuFe2														

UNDEALD / ungedichtet

UNSEALD
 ungedichtet

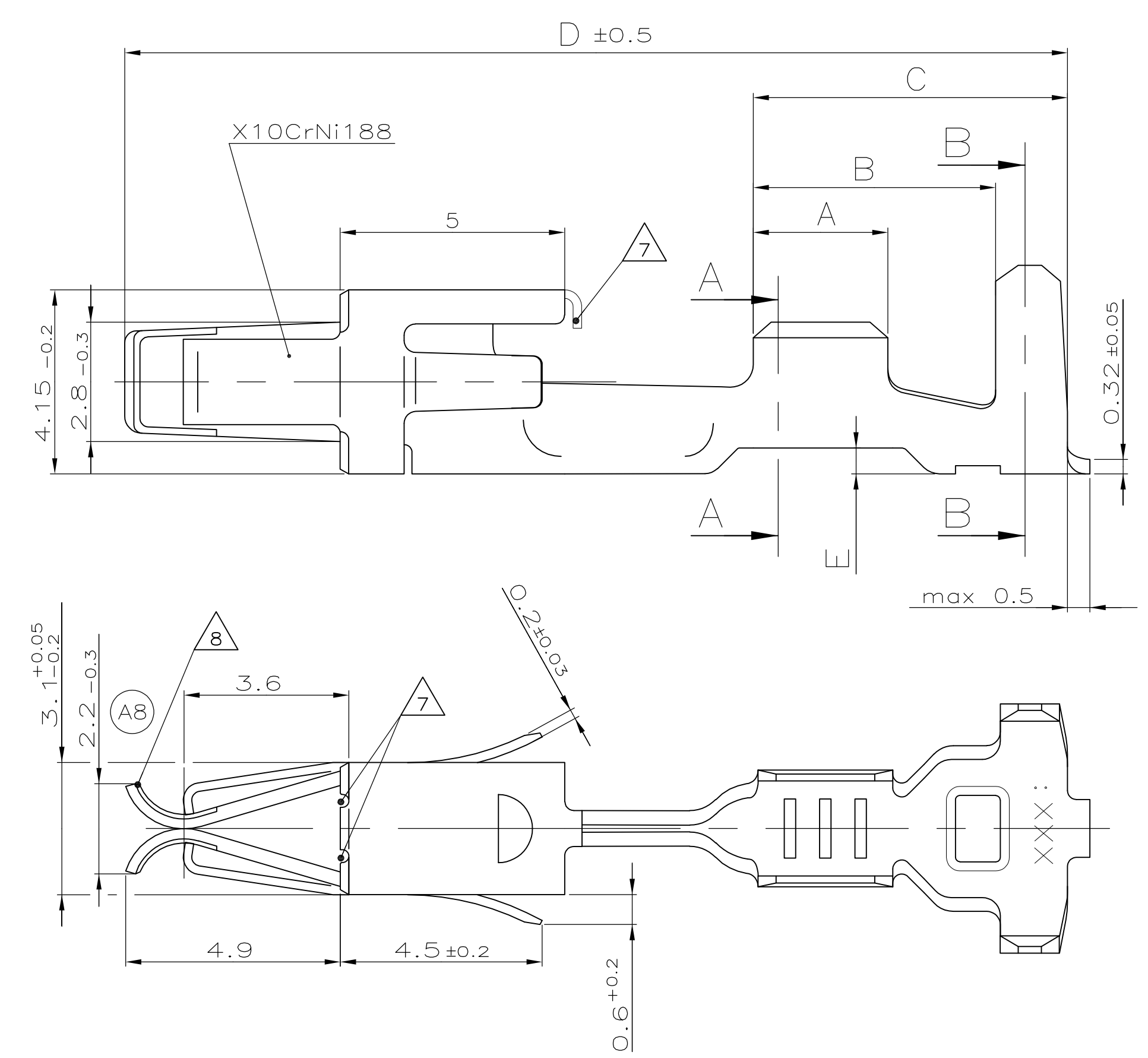
THIS DRAWING IS NOT SUBJECT TO CONSTANT CHANGING SERVICE AND DOES NOT LAY CLAIM TO BE COMPLETE. FOR DEFINITE SPECIFICATION SEE RESPECTIVE TE CONNECTIVITY CUSTOMER DRAWINGS. FURTHER VERSIONS ON INQUIRY.
 Diese Zeichnung unterliegt nicht dem ständigen Aenderungsdienst und erhebt keinen Anspruch auf Vollstaendigkeit. Verbindliche Angaben sind der jeweiligen TE CONNECTIVITY-Kundenzeichnung zu entnehmen.
 Weitere Ausfuhrungen auf Anfrage.

THIS DRAWING IS A CONTROLLED DOCUMENT. DESE ZEICHNUNG IST EIN KONTROLLIERTES DOCUMENT.		REV. 01	DATE 09-JUN-99	TE Connectivity	
DIMENSIONS DIMENSIONEN		UNIT EINHEIT	SCALE MASSSTAB	SHEET NO. 1 OF 2	
MATERIAL SEE TABLE		FINISH SEE TABLE	WEIGHT	CUSTOMER DRAWING / KUNDENZEICHNUNG	
STRIP FORM WIRE CRIMP Drahterimp		INSUL.-CRIMP Isol.-Crimp	WIRE CRIMP HEIGHT CH Drahterimp-Hoehc CH	LOOSE PIECE WIRE CRIMP Drahterimp	
APPLICATION TOOL Anschlag-WKZ		HAND TOOL Handzange		EXTRACTION TOOL Ausdrueckwerkzeug	
No.: 968107-1		No.: 1355046		No.: 1355046	

REMARKS

Bemerkungen

- 1 CONTACT BODY PRE-SILVER PLATED MIN. 0.8µm CONTACT ZONE SELECTIVE PRE-SILVER PLATED MIN. 3µm
 Kontaktkoerper vorversilbert min. 0,8µm Kontaktzone selektiv vorversilbert min. 3µm
- 2 CONTACT ZONE GOLD PLATED MIN. 0.8µm OVER MIN. 1.3µm Ni-LAYER CRIMP AREA MIN. 1µm TIN PLATED OVER Ni-LAYER
 Kontaktzone vergoldet min. 0,8µm ueber min. 1,3µm Ni-Zwischenschicht Crimpbereich min. 1µm verzinkt ueber Ni-Zwischenschicht
- 3 CANTILEVER SPRING INSIDE AND OUTSIDE 0.4-1.2µm Au
 Ueberfeder innen und aussen 0,4-1,2µm Au
- 4 CONTACT BODY, CONTACT SPRING INSIDE AND CRIMP AREA MIN. 1µm TIN PLATED OVER Ni-LAYER, TOUCHING AREA TO CANTILEVER SPRING AND CONTACT SPRING OUTSIDE SELECTIVE 0.8µm Au OVER MIN. 1.3µm Ni-LAYER
 Kontaktkoerper, Kontaktfeder innen und Crimpbereich min. 1µm verzinkt ueber Ni-Zwischenschicht, Anlageflaeche zur Ueberfeder und Kontaktfeder aussen selektiv 0,8µm vergoldet ueber min. 1,3µm Ni-Zwischenschicht
- 5 CONTACT ZONE AND TOUCHING AREA TO CANTILEVER SPRING MIN. 0.8µm SELECTIVE Au PLATED OVER 1.3µm Ni PLATED, CRIMP AREA 1µm TIN PLATED OVER Ni-LAYER
 Kontaktzone und Anlageflaeche zur Ueberfeder min. 0,8µm vergoldet min. 1,3µm Ni-Zwischenschicht Crimpbereich min. 1µm verzinkt ueber Ni-Zwischenschicht
- 6 CONTACT BODY AND CRIMP AREA MIN. 1µm TIN PLATED OVER Ni-LAYER, TOUCHING AREA TO CANTILEVER SPRING SELECTIVE 0.8µm Au OVER MIN. 1.3µm Ni-LAYER
 Kontaktkoerper und Crimpbereich min. 1µm verzinkt ueber Ni-Zwischenschicht, Anlageflaeche zur Ueberfeder selektiv 0,8µm vergoldet ueber min. 1,3µm Ni-Zwischenschicht
- 7 CUT OFF OPTIONAL
 Abschnitt\Freischnitt optional
- 8 SWAGE ONLY FOR PN 929937, 929939, 929941
 Swage nur fuer PN 929937, 929939, 929941



SINGLE WIRE SEAL
 Einzel-Dichtungs-System

ORDER-No. STRIP FORM Bandware	REV	ORDER-No. LOOSE PIECE Einzelausfuehrung	MATERIAL Werkstoff	SURFACE Oberflaeche	DCB [mm²]	SECTION A-A Schnitt A-A		SECTION B-B Schnitt B-B		WIRE CRIMP Drahtcrimp	SECTION A-A Schnitt A-A		SECTION B-B Schnitt B-B		APPLICATION TOOL Anschlag-WKZ	HAND TOOL Handzonge	EXTRACTION TOOL Ausdruckwerkzeug No.: 968107-1	A	B	C	D	E	ORDER-No. SINGLE SEAL Einzelichtung	ORDER-No. DEAD END PLUG Blindstopfen
						E ±0.3 G ±0.3 D _{cr} ±0.2	H ±0.3 K ±0.3 D ±0.2	H ±0.3 K ±0.3 D ±0.2	E ±0.3 G ±0.3 D _{cr} ±0.3		H ±0.3 K ±0.3 D ±0.2													
2-927766-1	E	2-929929-1	CuSn4	vorverzinkt min. 1µm	FLK	E = 3.6 G = 3.8 D = 1.8	H = 5.4 K = 4.6 D = 3.2	2.5mm² = 1.77 2.0mm² = 1.64 1.5mm² = 1.51	E = 2.8 G = 3.9 D = 1.7	H = 4.8 K = 4.2 R = 2.8	MQC-Applicator 2-878845-2	539635-1 mit Matrize: 539737-2	3.5	5.9	7.5	18.8	0.4	828905-1	828922-1					
1-927766-1	E	1-929929-1	CuFe2																					
927766-3	D	929929-3	CuSn4																					
927766-1	D	929929-1	CuFe2																					
2-929937-1	E	2-929938-1	CuSn4	vorverzinkt min. 1µm	FLR	E = 3.6 G = 3.8 D = 1.8	H = 5.4 K = 4.6 D = 3.2	2.5mm² = 1.77 2.0mm² = 1.64 1.5mm² = 1.51	E = 2.8 G = 3.9 D = 1.7	H = 4.8 K = 4.2 R = 2.8	MQC-Applicator 2-878845-2	539635-1 mit Matrize: 539737-2	3.5	5.9	7.5	21	0.4	828905-1	828922-1					
1-929937-1	E	1-929938-1	CuFe2																					
929937-6	E	929938-6	CuSn4																					
929937-3	E	929938-3	CuSn4																					
929937-1	E	929938-1	CuFe2																					
2-929939-1	E	2-929940-1	CuSn4	vorverzinkt min. 1µm	FLR	E = 2.6 G = 2.8 D _{cr} = 1.1	H = 5.4 K = 4.6 D = 3.2	1.0mm² = 1.36 0.75mm² = 1.27 0.5mm² = 1.18	E = 2.2 G = 2.8 D _{cr} = 1.2	H = 4.6 K = 4.2 R = 2.3	MQC-Applicator 878335-2	539635-1 mit Matrize: 539737-2	3	5.4	7	21	0.6	828904-1	828922-1					
1-929939-1	E	1-929940-1	CuFe2																					
929939-6	E	929940-6	CuSn4																					
929939-3	E	929940-3	CuSn4																					
929939-1	E	929940-1	CuFe2																					
2-927770-1	G	2-929930-1	CuSn4	vorverzinkt min. 1µm	FLR	E = 2.6 G = 2.8 D _{cr} = 1.1	H = 5.4 K = 4.6 D = 3.2	1.0mm² = 1.36 0.75mm² = 1.27 0.5mm² = 1.18	E = 2.2 G = 2.8 D _{cr} = 1.2	H = 4.6 K = 4.2 R = 2.3	MQC-Applicator 878335-2	539635-1 mit Matrize: 539737-2	3	5.4	7	18.8	0.6	828904-1	828922-1					
1-927770-1	G	1-929930-1	CuFe2																					
927770-8	G	929930-8	CuSn4																					
927770-6	F	929930-6	CuSn4																					
927770-3	F	929930-3	CuSn4																					
927770-1	F	929930-1	CuFe2																					
2-929941-1	E	2-929942-1	CuSn4	vorverzinkt min. 1µm	FLR	E = 2.1 G = 2.1 D _{cr} = 0.8	H = 5.4 K = 4.6 D = 3.2	0.5mm² = 1.12 0.35mm² = 1.05 0.25mm² = 1.0 0.2mm² = 0.98	E = 1.7 G = 2.1 D _{cr} = 0.8	H = 4.2 K = 4.35 R = 2.4	MQC-Applicator 878334-2	539635-1 mit Matrize: 539737-2	2.5	4.9	6.5	21	0.9	828904-1	828922-1					
1-929941-1	E	1-929942-1	CuFe2																					
929941-6	D	929942-6	CuSn4																					
929941-3	D	929942-3	CuSn4																					
929941-1	D	929942-1	CuFe2																					
1-927772-1	D	1-929931-1	CuFe2	vorverzinkt min. 1µm	FLR	E = 2.1 G = 2.1 D _{cr} = 0.8	H = 5.4 K = 4.6 D = 3.2	0.5mm² = 1.12 0.35mm² = 1.05 0.25mm² = 1.0 0.2mm² = 0.98	E = 1.7 G = 2.1 D _{cr} = 0.8	H = 4.2 K = 4.35 R = 2.4	MQC-Applicator 878334-2	539635-1 mit Matrize: 539737-2	2.5	4.9	6.5	18.8	0.9	828904-1	828922-1					
927772-3	C	929931-3	CuSn4																					
927772-1	C	929931-1	CuFe2																					

THIS DRAWING IS NOT SUBJECT TO CONSTANT CHANGING SERVICE AND DOES NOT LAY CLAIM TO BE COMPLETE. FOR DEFINITE SPECIFICATION SEE RESPECTIVE TE CONNECTIVITY CUSTOMER DRAWINGS. FURTHER VERSIONS ON INQUIRY.
 Diese Zeichnung unterliegt nicht dem staendigem Aenderungsdienst und erhebt keinen Anspruch auf Vollstaendigkeit. Verbindliche Angaben sind der jeweiligen TE CONNECTIVITY-Kundenzeichnung zu entnehmen. Weitere Ausfuehrungen auf Anfrage.

THIS DRAWING IS A CONTROLLED DOCUMENT. DESE ZEICHNUNG IST EIN KONTROLLIERTES DOCUMENT		DATE: 09-JUN-99	REV: 1	BY: JPT	APPD: JPT
DIMENSIONS: DIMENSIONEN		TOLERANCES: TOLERANZEN		MATERIAL: MATERIAL	
D ±0.2		F ±0.05		SEE TABLE	
E ±0.3		G ±0.3		SEE TABLE	
F ±0.3		H ±0.3		SEE TABLE	
G ±0.3		K ±0.3		SEE TABLE	
H ±0.3		L ±0.3		SEE TABLE	
K ±0.3		M ±0.3		SEE TABLE	
L ±0.3		N ±0.3		SEE TABLE	
M ±0.3		P ±0.3		SEE TABLE	
N ±0.3		Q ±0.3		SEE TABLE	
P ±0.3		R ±0.3		SEE TABLE	
Q ±0.3		S ±0.3		SEE TABLE	
R ±0.3		T ±0.3		SEE TABLE	
S ±0.3		U ±0.3		SEE TABLE	
T ±0.3		V ±0.3		SEE TABLE	
U ±0.3		W ±0.3		SEE TABLE	
V ±0.3		X ±0.3		SEE TABLE	
W ±0.3		Y ±0.3		SEE TABLE	
X ±0.3		Z ±0.3		SEE TABLE	
Y ±0.3		AA ±0.3		SEE TABLE	
Z ±0.3		AB ±0.3		SEE TABLE	
AA ±0.3		AC ±0.3		SEE TABLE	
AB ±0.3		AD ±0.3		SEE TABLE	
AC ±0.3		AE ±0.3		SEE TABLE	
AD ±0.3		AF ±0.3		SEE TABLE	
AE ±0.3		AG ±0.3		SEE TABLE	
AF ±0.3		AH ±0.3		SEE TABLE	
AG ±0.3		AI ±0.3		SEE TABLE	
AH ±0.3		AJ ±0.3		SEE TABLE	
AI ±0.3		AK ±0.3		SEE TABLE	
AJ ±0.3		AL ±0.3		SEE TABLE	
AK ±0.3		AM ±0.3		SEE TABLE	
AL ±0.3		AN ±0.3		SEE TABLE	
AM ±0.3		AO ±0.3		SEE TABLE	
AN ±0.3		AP ±0.3		SEE TABLE	
AO ±0.3		AQ ±0.3		SEE TABLE	
AP ±0.3		AR ±0.3		SEE TABLE	
AQ ±0.3		AS ±0.3		SEE TABLE	
AR ±0.3		AT ±0.3		SEE TABLE	
AS ±0.3		AU ±0.3		SEE TABLE	
AT ±0.3		AV ±0.3		SEE TABLE	
AU ±0.3		AW ±0.3		SEE TABLE	
AV ±0.3		AX ±0.3		SEE TABLE	
AW ±0.3		AY ±0.3		SEE TABLE	
AX ±0.3		AZ ±0.3		SEE TABLE	
AY ±0.3		BA ±0.3		SEE TABLE	
AZ ±0.3		BB ±0.3		SEE TABLE	
BA ±0.3		BC ±0.3		SEE TABLE	
BB ±0.3		BD ±0.3		SEE TABLE	
BC ±0.3		BE ±0.3		SEE TABLE	
BD ±0.3		BF ±0.3		SEE TABLE	
BE ±0.3		BG ±0.3		SEE TABLE	
BF ±0.3		BH ±0.3		SEE TABLE	
BG ±0.3		BI ±0.3		SEE TABLE	
BH ±0.3		BJ ±0.3		SEE TABLE	
BI ±0.3		BK ±0.3		SEE TABLE	
BJ ±0.3		BL ±0.3		SEE TABLE	
BK ±0.3		BM ±0.3		SEE TABLE	
BL ±0.3		BN ±0.3		SEE TABLE	
BM ±0.3		BO ±0.3		SEE TABLE	
BN ±0.3		BP ±0.3		SEE TABLE	
BO ±0.3		BQ ±0.3		SEE TABLE	
BP ±0.3		BR ±0.3		SEE TABLE	
BQ ±0.3		BS ±0.3		SEE TABLE	
BR ±0.3		BT ±0.3		SEE TABLE	
BS ±0.3		BU ±0.3		SEE TABLE	
BT ±0.3		BV ±0.3		SEE TABLE	
BU ±0.3		BW ±0.3		SEE TABLE	
BV ±0.3		BX ±0.3		SEE TABLE	
BW ±0.3		BY ±0.3		SEE TABLE	
BX ±0.3		BZ ±0.3		SEE TABLE	
BY ±0.3		CA ±0.3		SEE TABLE	
BZ ±0.3		CB ±0.3		SEE TABLE	
CA ±0.3		CC ±0.3		SEE TABLE	
CB ±0.3		CD ±0.3		SEE TABLE	
CC ±0.3		CE ±0.3		SEE TABLE	
CD ±0.3		CF ±0.3		SEE TABLE	
CE ±0.3		CG ±0.3		SEE TABLE	
CF ±0.3		CH ±0.3		SEE TABLE	
CG ±0.3		CI ±0.3		SEE TABLE	
CH ±0.3		CJ ±0.3		SEE TABLE	
CI ±0.3		CK ±0.3		SEE TABLE	
CJ ±0.3		CL ±0.3		SEE TABLE	
CK ±0.3		CM ±0.3		SEE TABLE	
CL ±0.3		CN ±0.3		SEE TABLE	
CM ±0.3		CO ±0.3		SEE TABLE	
CN ±0.3		CP ±0.3		SEE TABLE	
CO ±0.3		CQ ±0.3		SEE TABLE	
CP ±0.3		CR ±0.3		SEE TABLE	
CQ ±0.3		CS ±0.3		SEE TABLE	
CR ±0.3		CT ±0.3		SEE TABLE	
CS ±0.3		CU ±0.3		SEE TABLE	
CT ±0.3		CV ±0.3		SEE TABLE	
CU ±0.3		CW ±0.3		SEE TABLE	
CV ±0.3		CX ±0.3		SEE TABLE	
CW ±0.3		CY ±0.3		SEE TABLE	
CX ±0.3		CZ ±0.3		SEE TABLE	
CY ±0.3		DA ±0.3		SEE TABLE	
CZ ±0.3		DB ±0.3		SEE TABLE	
DA ±0.3		DC ±0.3		SEE TABLE	